

Anchor Systems

BOX CONTENTS



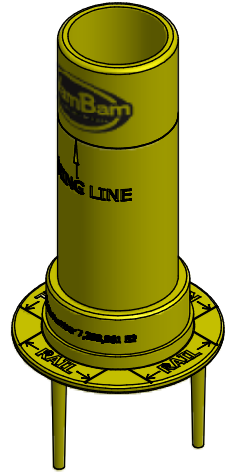
Leveling Donut



Anchor



Tek Screws (4)

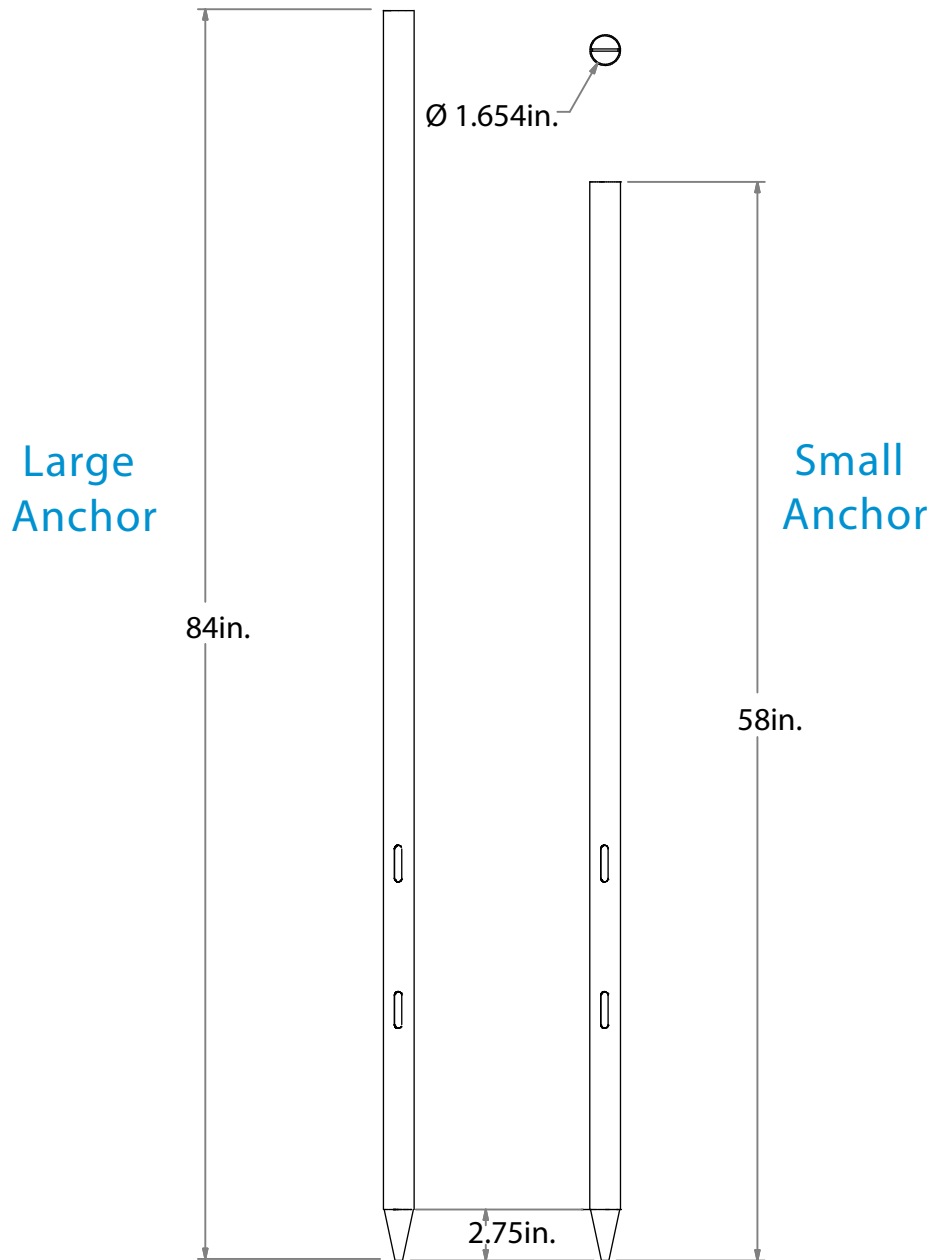


Anchor Positioner

(Items not to scale and based on 1 pack)

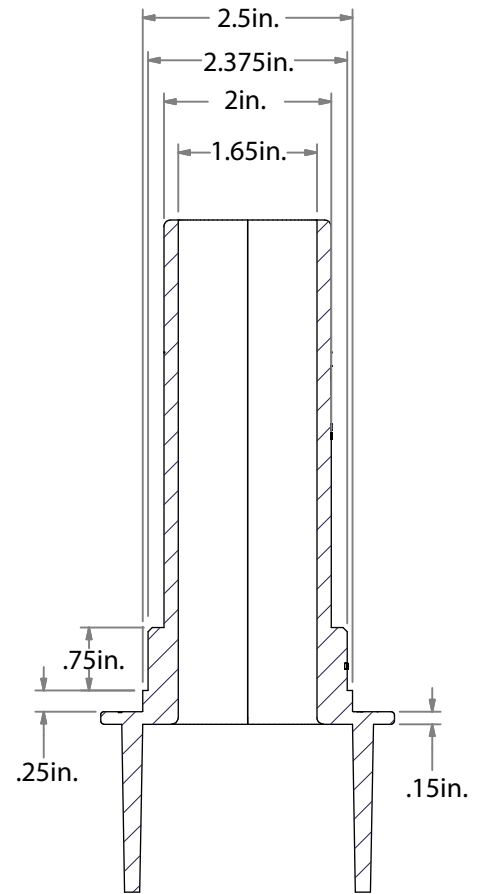
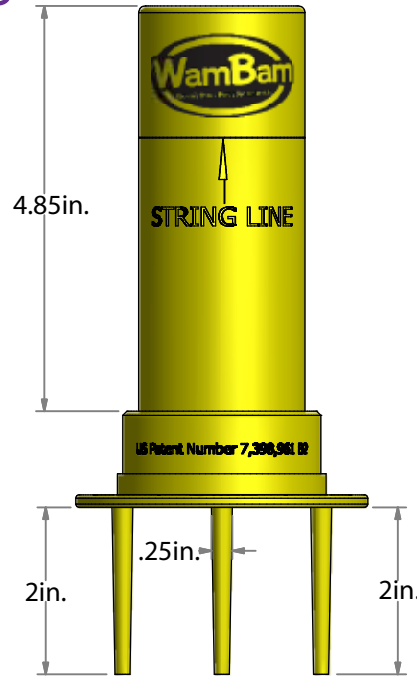
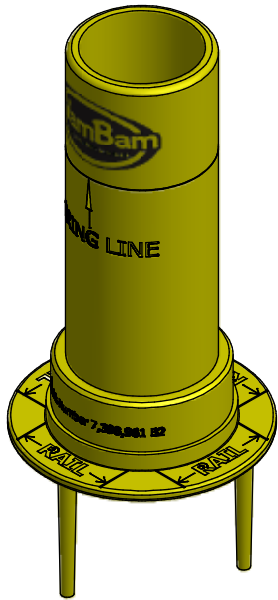
Anchors

SPEC DRAWING



Anchor Positioner

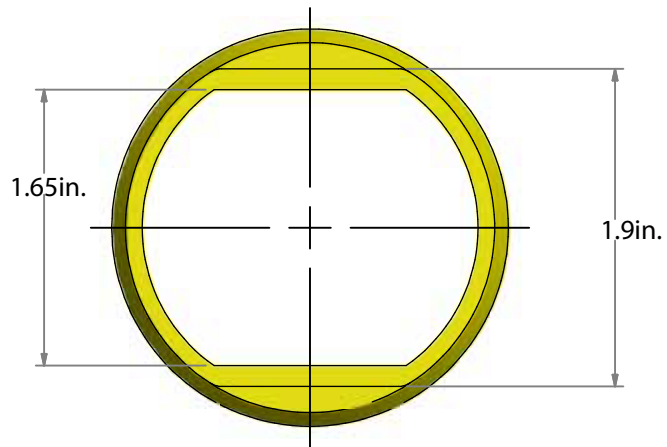
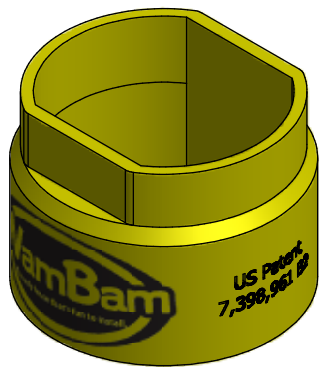
SPEC DRAWINGS



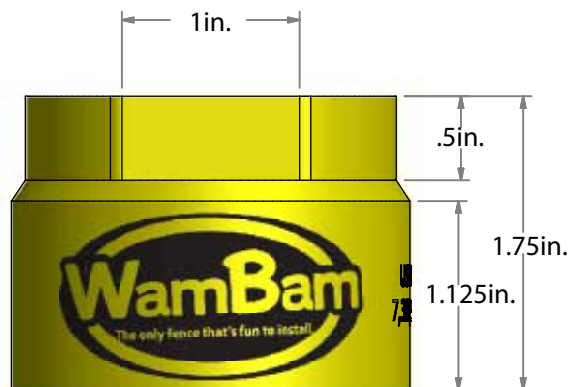
Front View

Leveling Donut

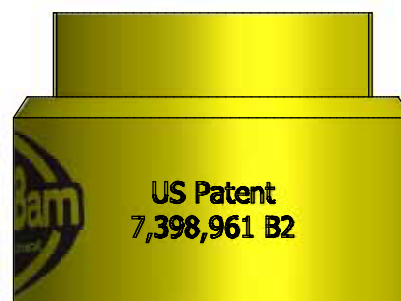
SPEC DRAWINGS



Top View



Front View



Side View

