

Chatty Cathy Ornamental Gate

WamBam

The only fence that's fun to install.

REALLY

**^ Important stuff
to know about
installing your
WamBam gate.**

1-877-778-5733
www.wambamfence.com



1 - Read Over Fence Instructions First

Your gate and fence will work better together as an integrated solution if you first take the time to read and understand your fence instructions. Especially pay attention to the principles of anchor installation.

2 - Ideally, Install Your Gate Anchors Before Your Fence Anchors

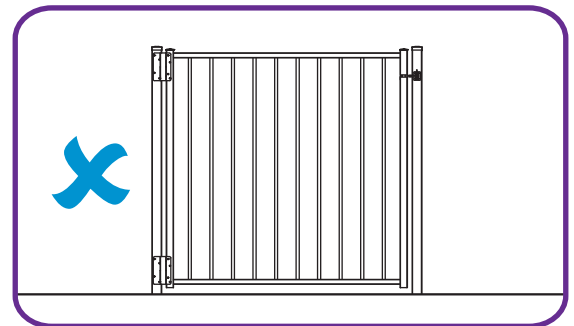
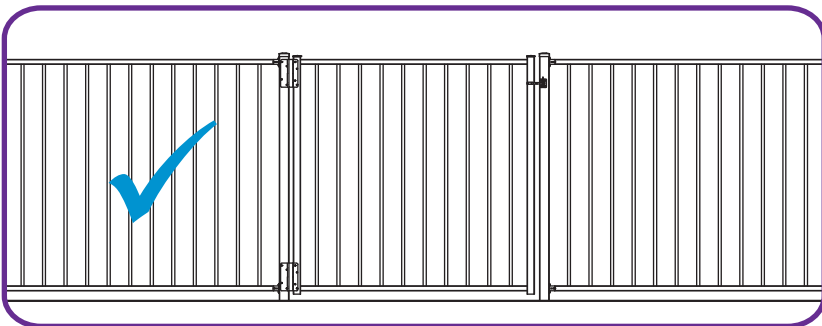
Your fence panels will be more forgiving for a custom fit than your gate. Ideally, position and install your gate anchors before you do anything else, or very early on in the process of setting up your fence run.

3 - Ideally, Do Not Hang Your Gate System Off a Single Non-Supported Post

Your gate will perform better and last longer if your hinge post is connected to a panel of fence which is connected to another post. The weight strain will be transferred unto two posts versus just one. Installing fence panels on both sides of your gate is the ideal in all situations. If this is not possible because of space restrictions, please contact us for alternative solutions to overcome.



Install Your Gate Anchors Before Installing Your Fence Anchors.

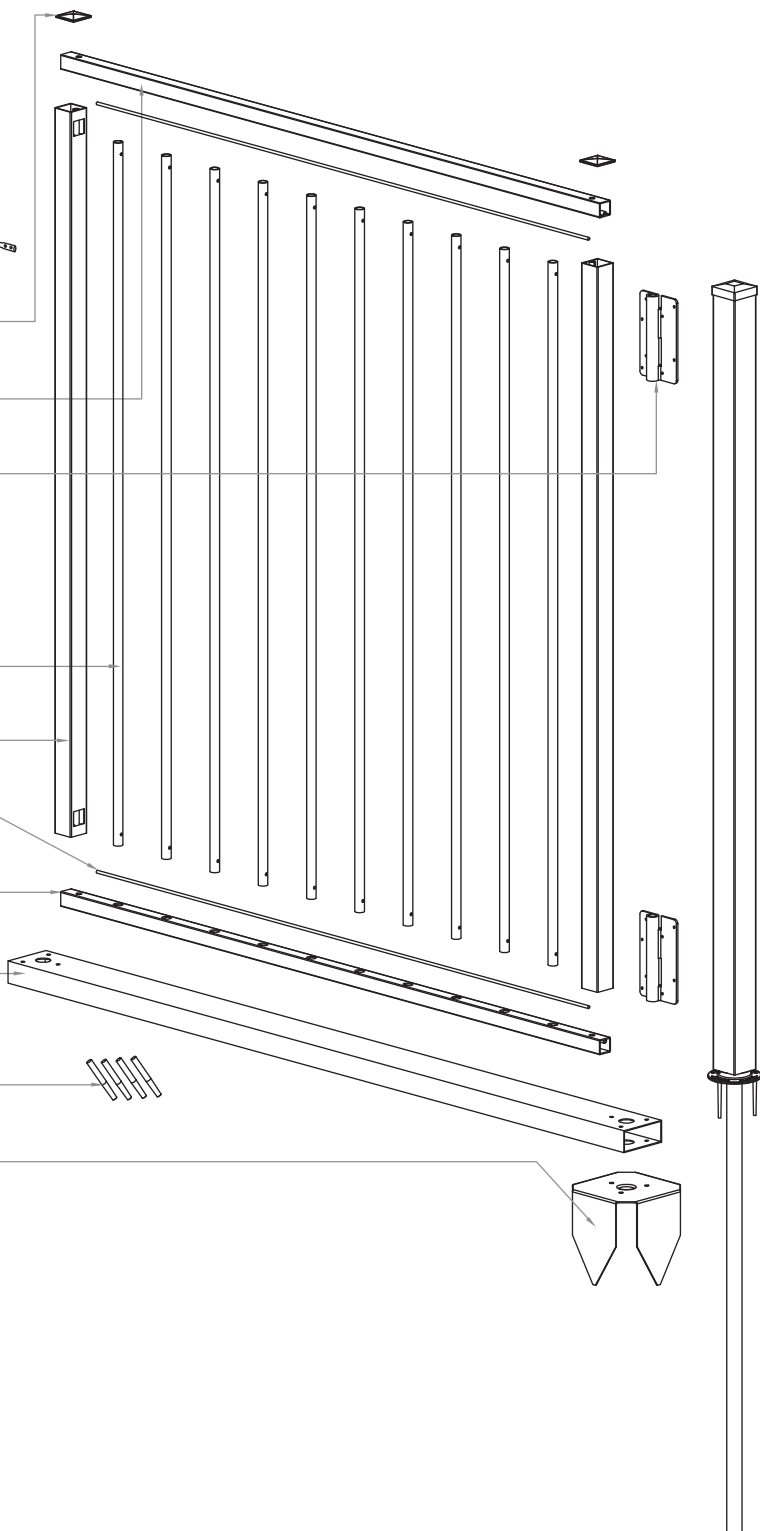


Box Contents



Each Gate Box Includes:

- Gate Latch Assembly (1)
- Gate Post Caps (2)
- Top Rail (1)
- Gate Hinges (Self-Closing) (2)
- Gate Pickets (10)
- Gate Posts (2)
- Retaining Rods (2)
- Bottom Rail (1)
- Gate Jig (Vinyl) (1)
- 3" Gate Post Pins (For use during assembly) (4)
- Metal Post Stabilizer (1)



Sold Separately:

- Posts (Caps Included)
- WamBam Ornamental Post Anchors

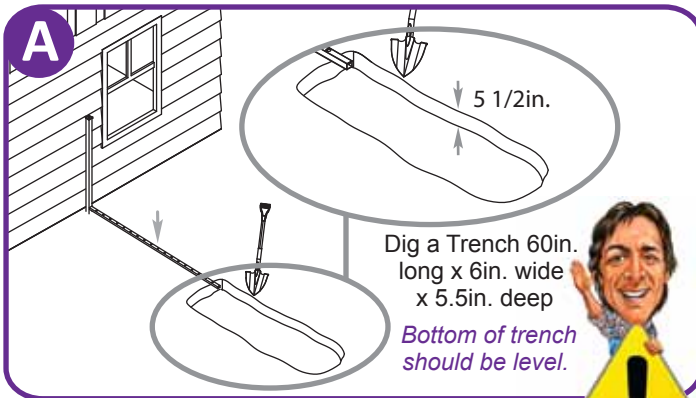
Chatty Cathy Ornamental Gate Detailed Installation Instructions

WamBam

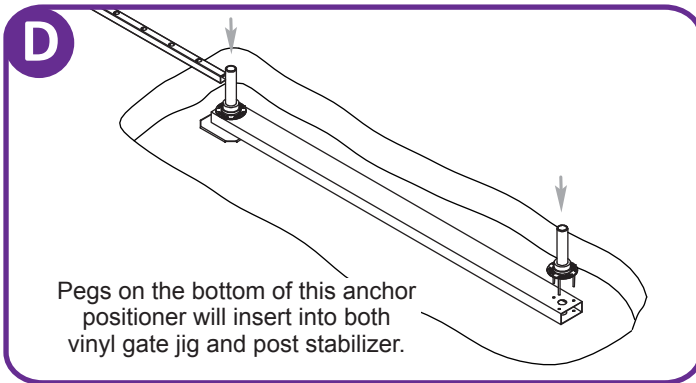
The only fence that's fun to install.

STEP 1

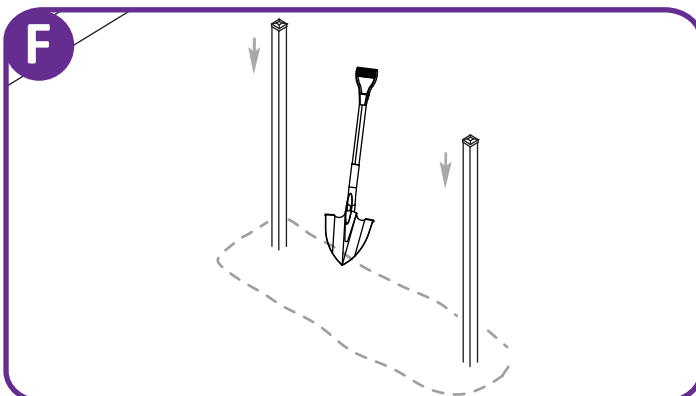
Excavate & Install Gate Jig, Anchors, & Fence Posts



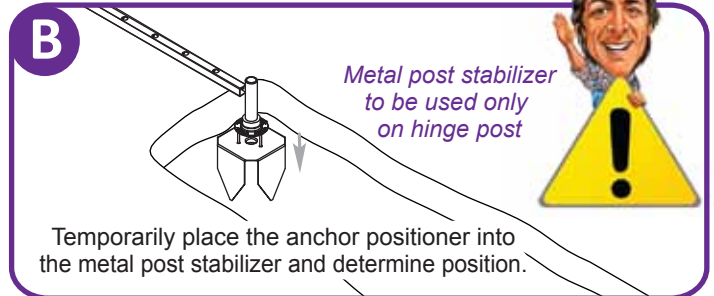
A - Identify location of your gate



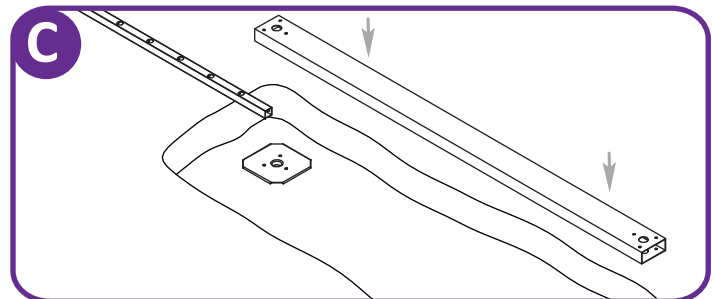
D - Place anchor positioners into gate jig



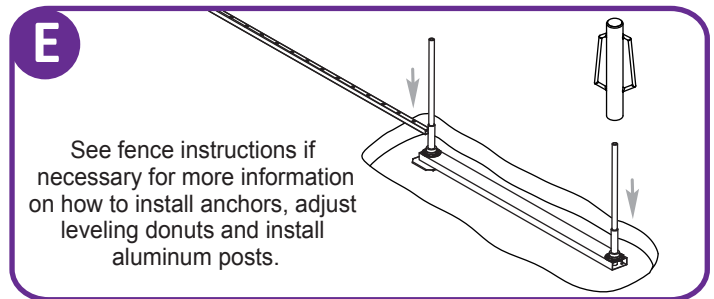
F - Backfill excavated dirt over gate jig



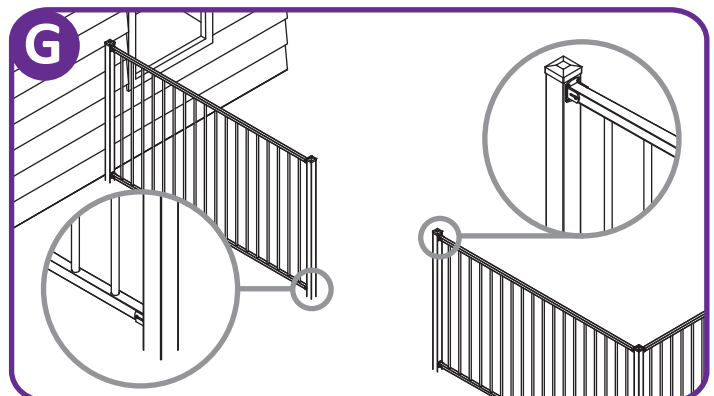
B - Identify the location of the metal post stabilizer and pound into the ground



C - Place vinyl gate jig over the metal post stabilizer

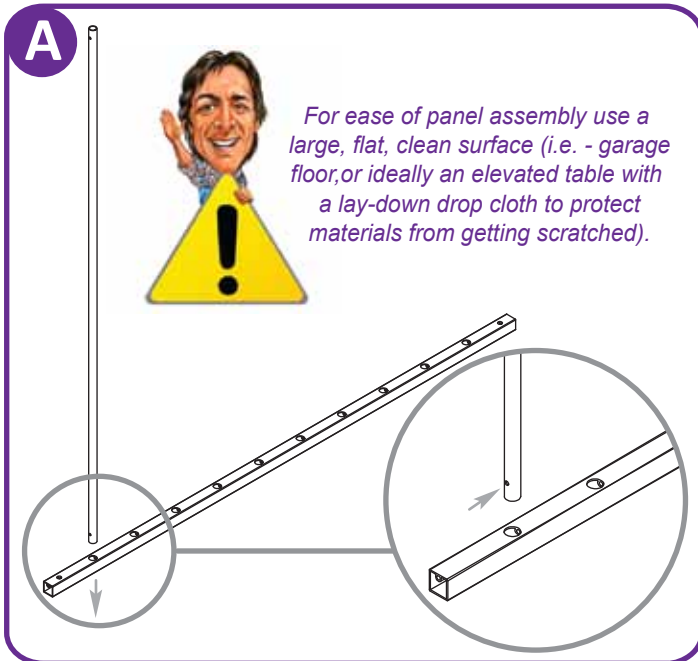


E - Pound your anchors into place

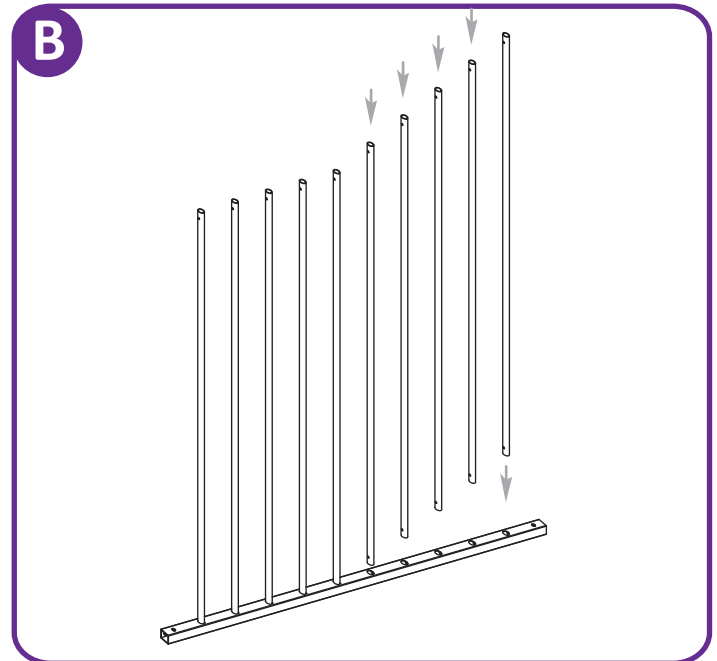


G - IMPORTANT: Make sure to fasten the fence panels BEFORE attaching the gate

STEP 2 How to Assemble the Gate



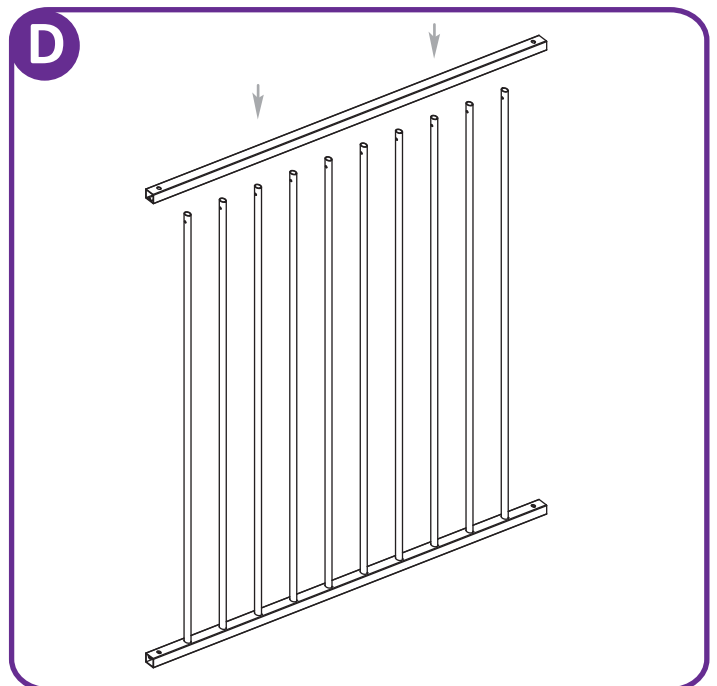
A - Insert pickets into the bottom rail while aligning the holes in preparation for future retaining rod insertion



B - Continue to insert pickets into the bottom rail



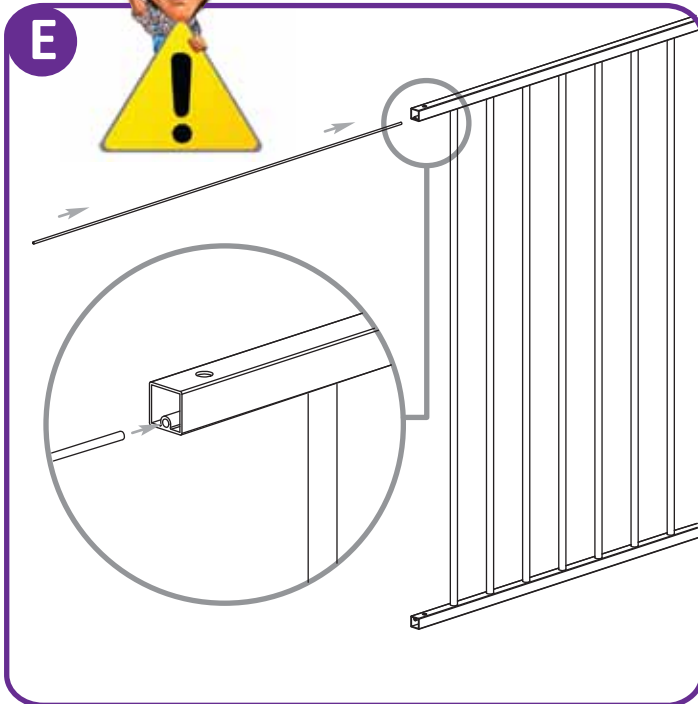
C - Insert retaining rod into one end of the bottom rail. Adjust vertical pickets one at a time to receive retaining rod. Turn in a clockwise, or counter clockwise motion as necessary while "threading" the retaining rod through the pickets.



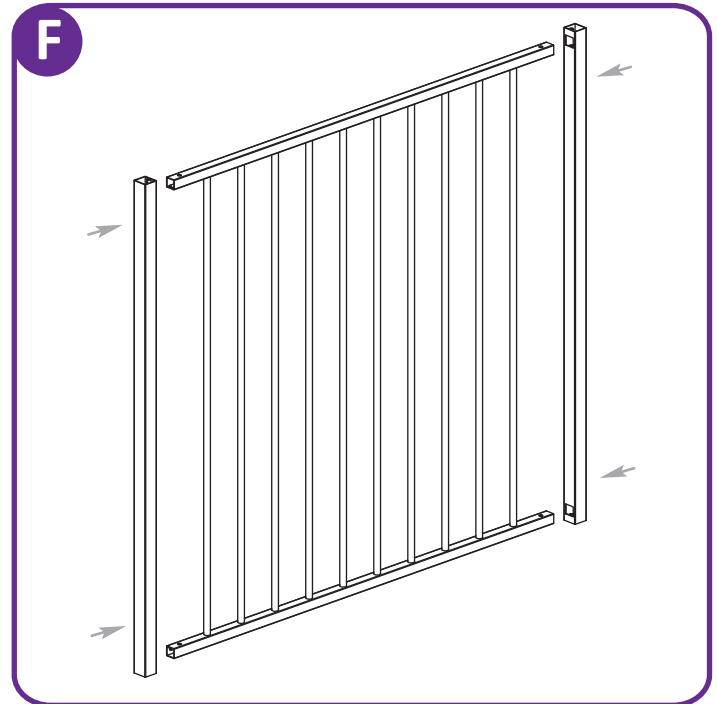
D - Insert the top of the pickets into the top rail working from one end to the other



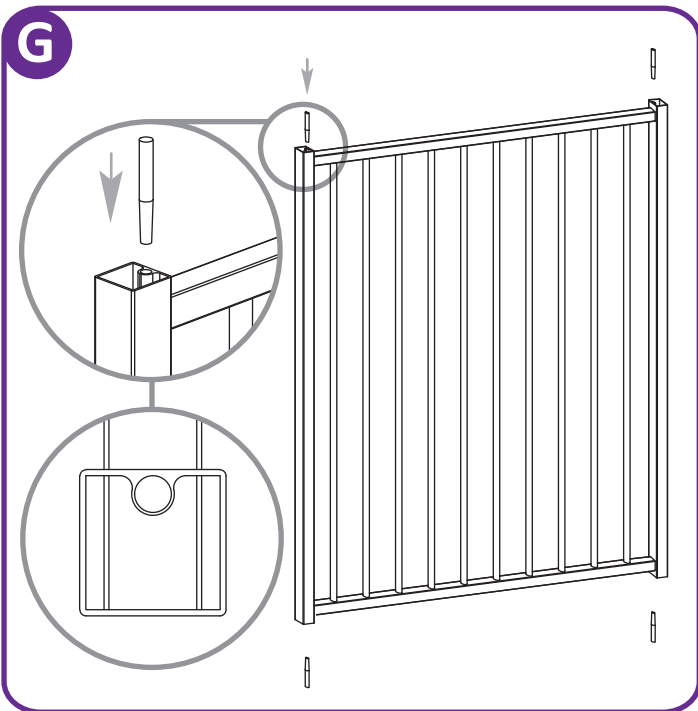
Insert retaining rods deep enough into the rails so that gate pins (Illustration G) when inserted vertically will not be in conflict.



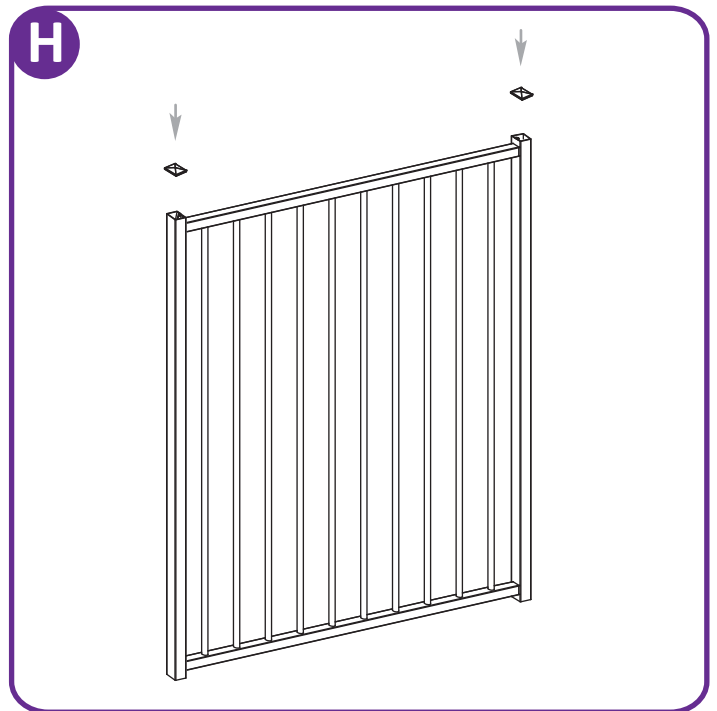
E - Insert retaining rods into one end of the top rail. Adjust vertical pickets one at a time to receive retaining rod.



F - Insert the ends of the top and bottom rails into the holes on the gate posts

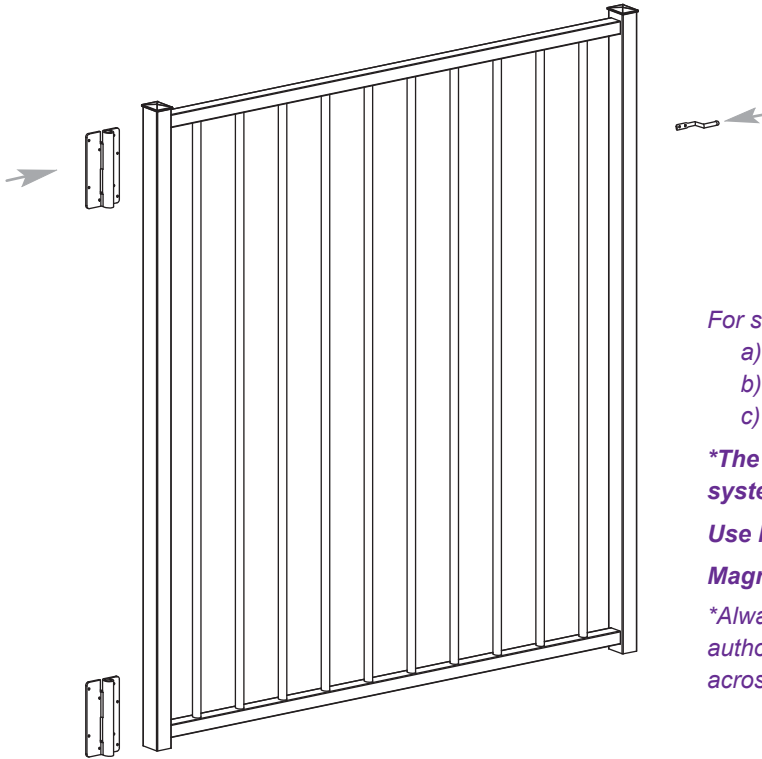


G - Pound gate posts pins into place as illustrated. The pins will compression fit into place and should be pounded down flush with the top of gate posts.



H - Compression fit post caps into place on gate posts

STEP 3 How to Attach Hinges & Latch Assembly to Gate



For swimming and other child safety gates, most safety standards specify:

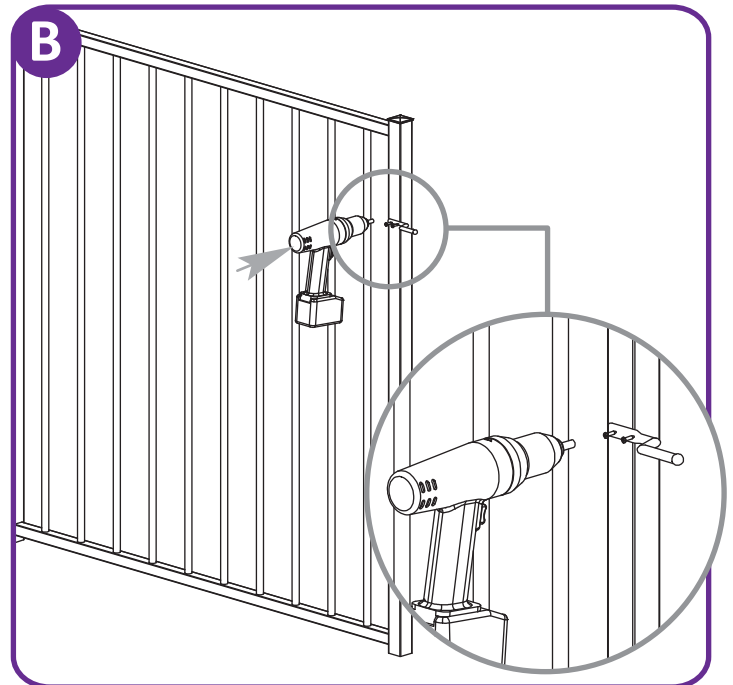
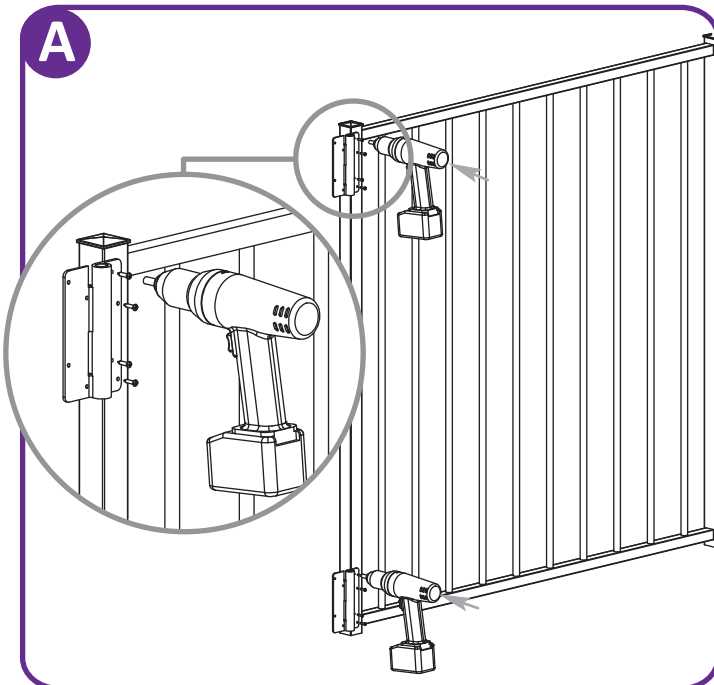
- a) Your fence height needs to be between 4' and 6' high minimum
- b) Your gate needs to open outwards away from the pool
- c) Latch releasing mechanism to be minimum 54" off the ground.

**The Chatty Cathy ornamental gate will require a specialized latching system to meet pool code.*

Use Magna Latch Top Pull Hardware Only (not included).

Magna Latch Top Pull Code is # MLTPS2BGA.

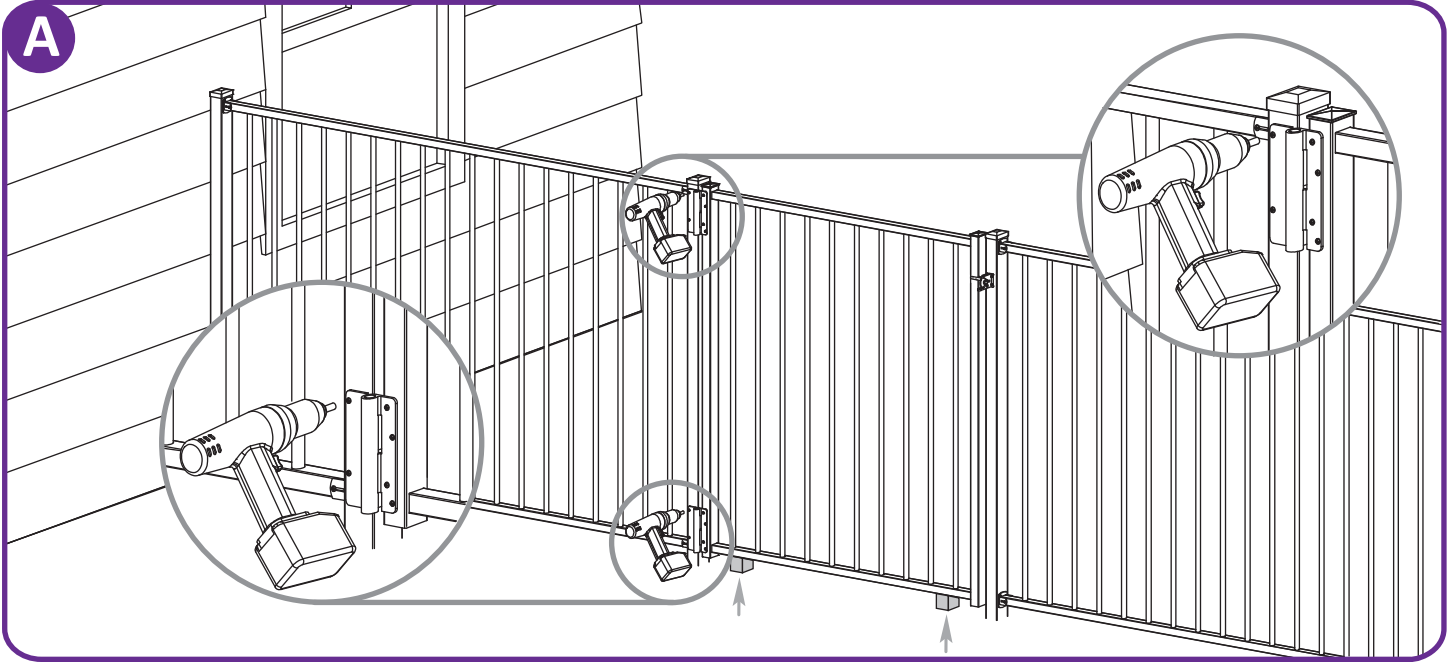
**Always confirm these and other requirements with the appropriate authorities in your area. Code will change from one location to another across the country.*



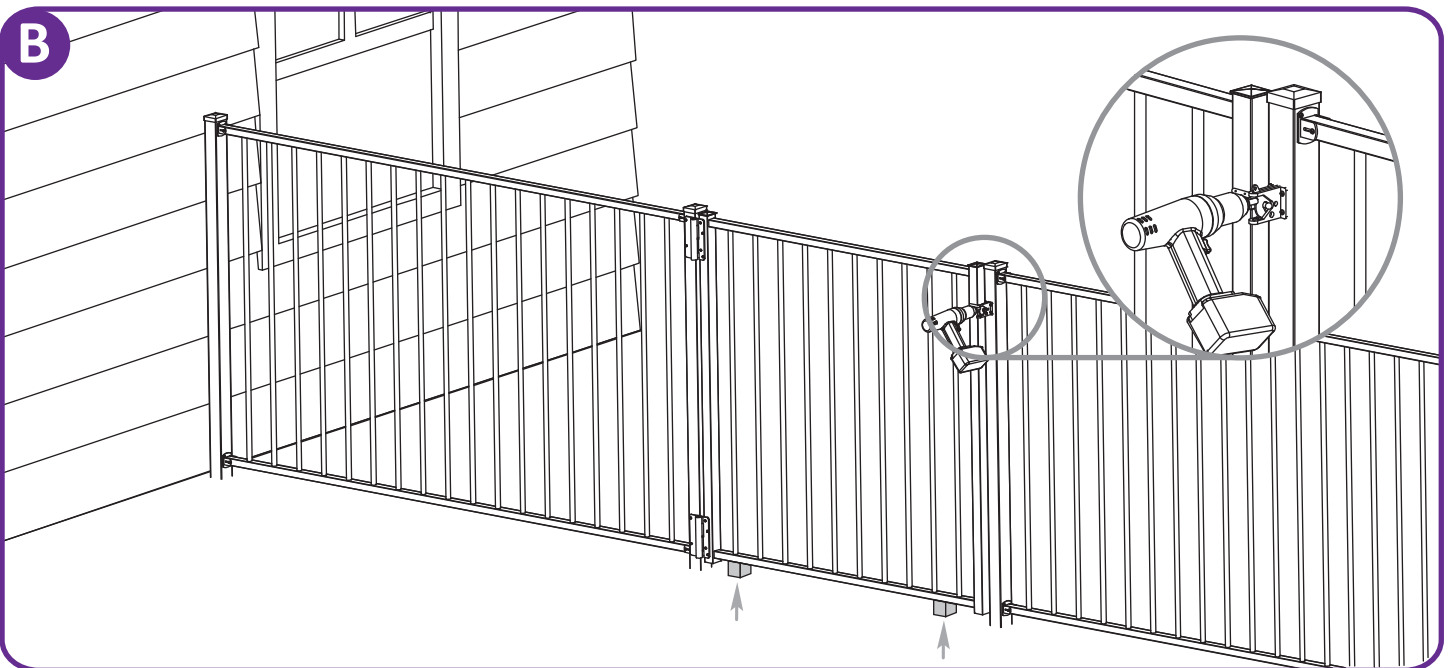
A - Attach the two gate hinges to the gate post with the screws provided

B - Attach the gate latch assembly to the gate post with the screws provided

STEP 4 How to Attach Assembled Gate to Fence Panel



A - Use temporary spacers or blocks to rest the gate on during alignment and installation. Fasten gate hinges accordingly.



B - Align and fasten the gate latch to fit and function with the gate finger.

Congratulations! You did it!

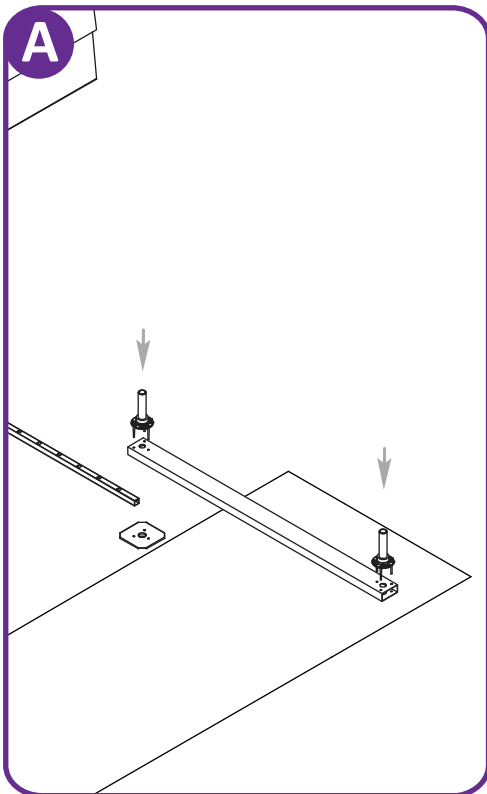
Go grab a beverage of your choice, admire your handy work, and show us what you got by entering our annual photo/video contests!



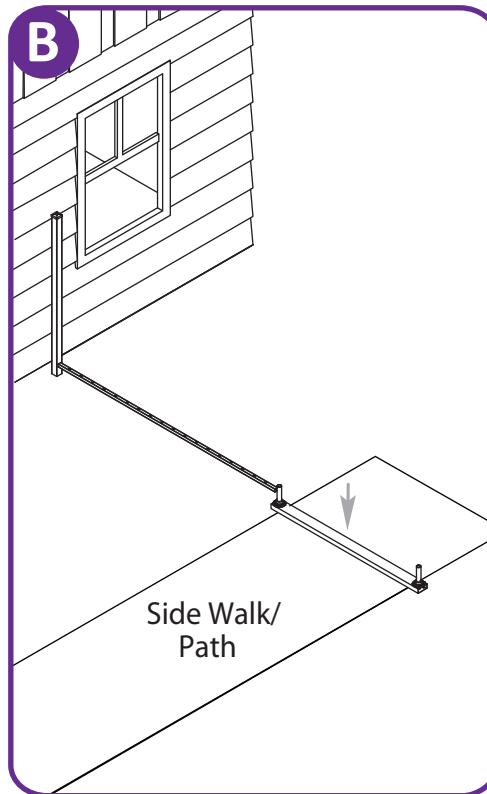
FROM PAGE 1

Sidewalk/Path

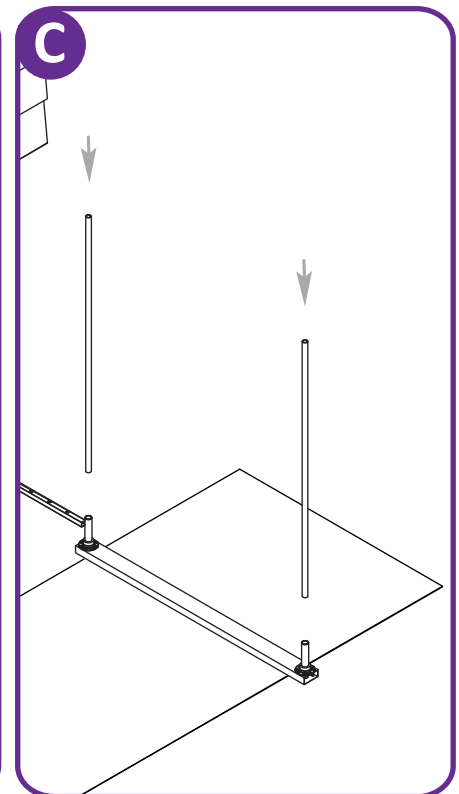
If sidewalk is less than 52 inches, then use the gate jig as a temporary spacer:



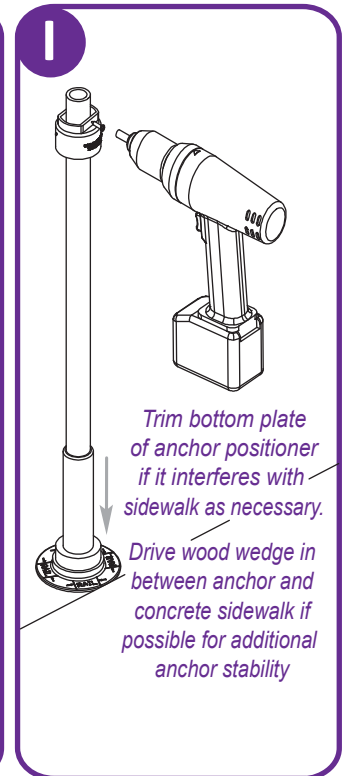
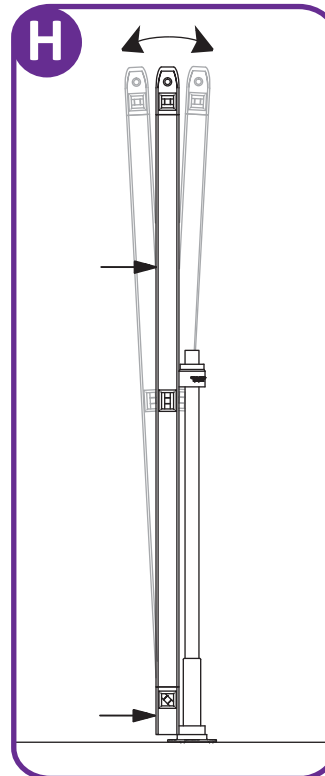
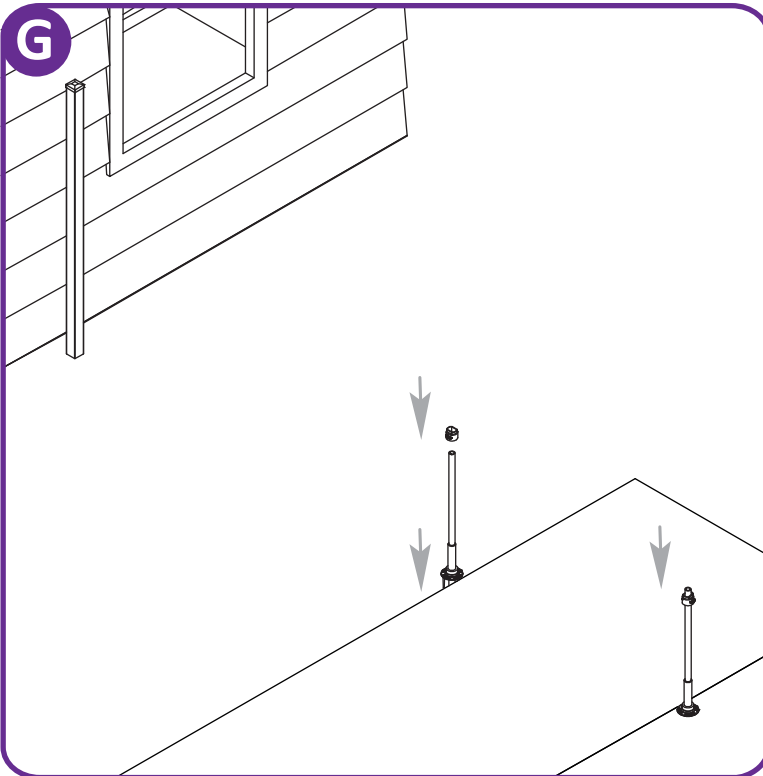
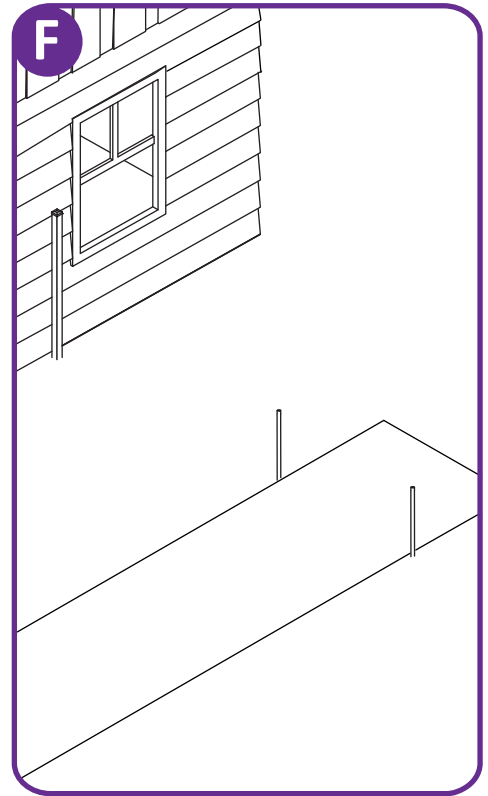
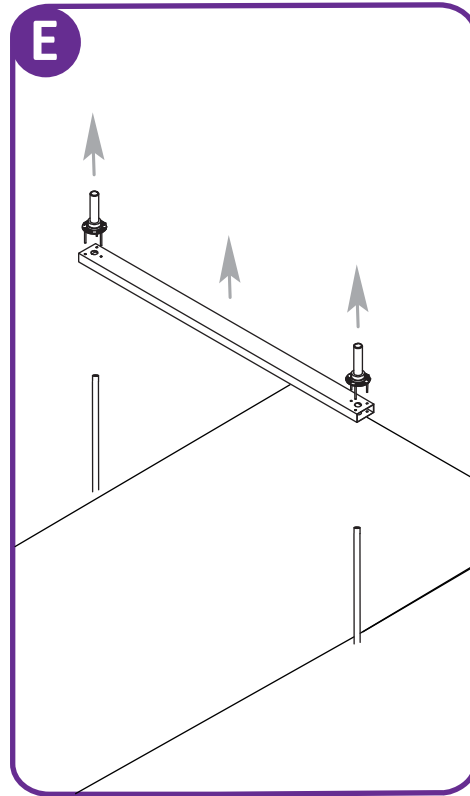
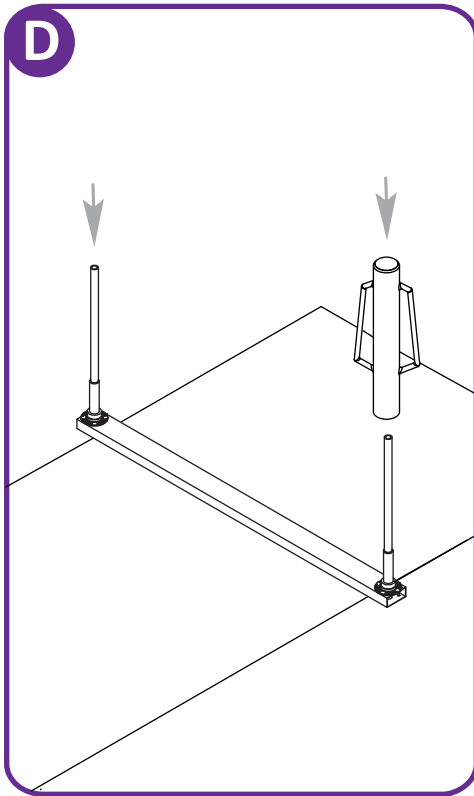
A - Determine location of Metal Post Stabilizer



B - If sidewalk is more than 48" wide, continue without the Metal Post Stabilizer



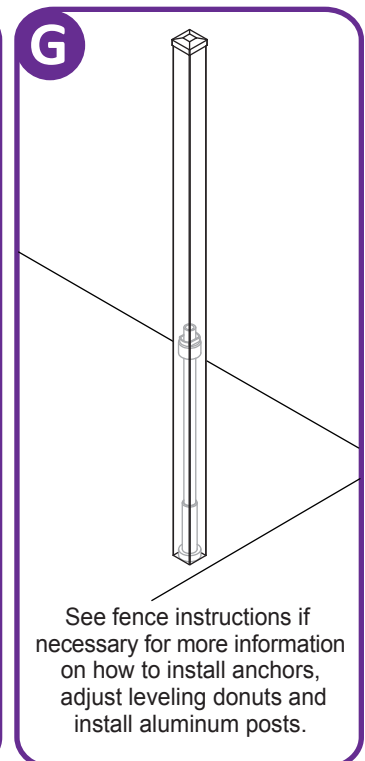
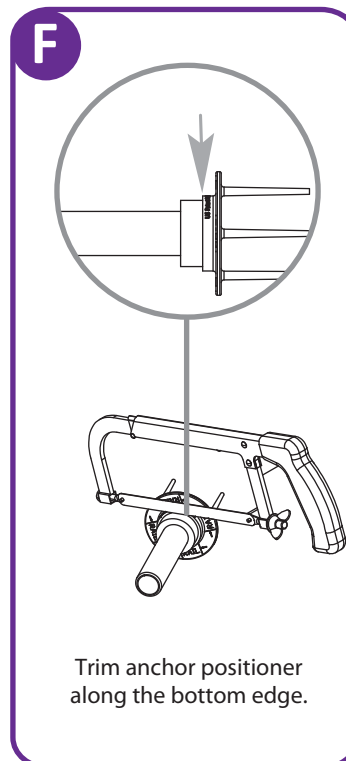
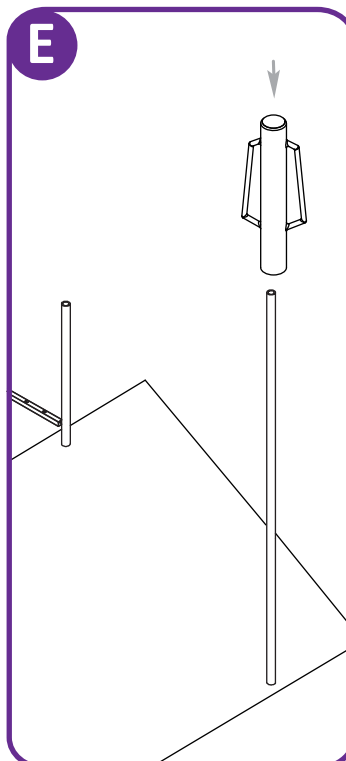
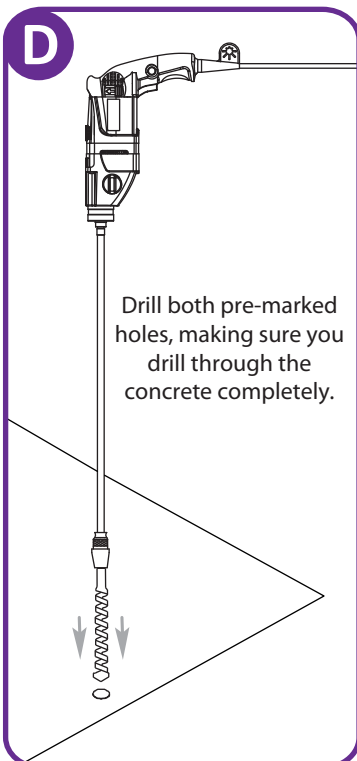
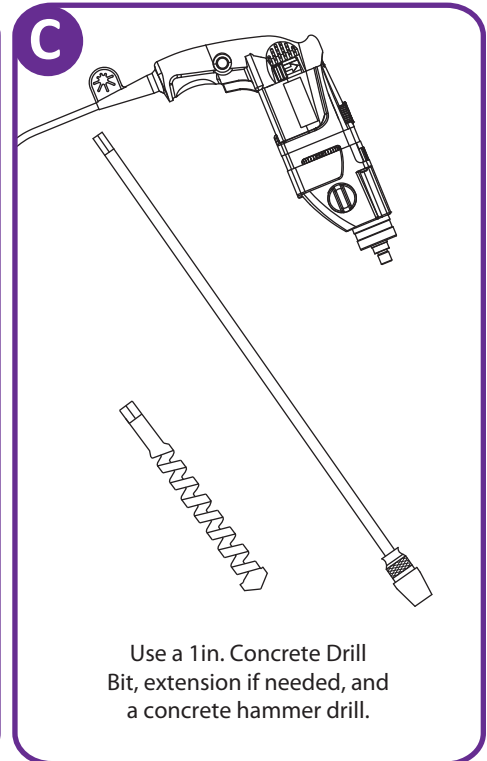
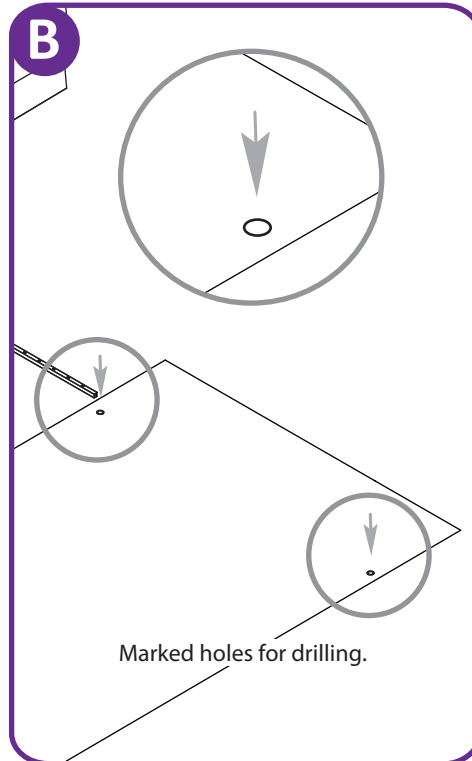
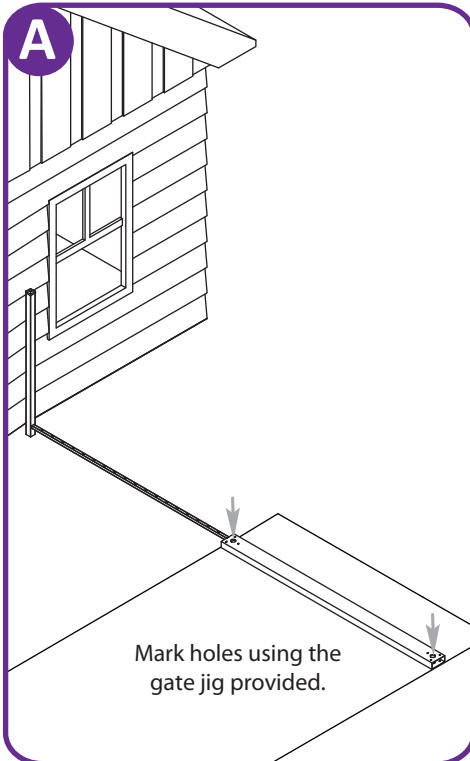
C - Insert Anchors into the Anchor Positioners and pound into ground at proper depth



Sidewalk/Path

OPTION 1 - FROM PAGE 1

If sidewalk is wider than 52 inches, then drill directly through concrete and pound anchors into place..



Sidewalk/Path

OPTION 2 - Universal Surface Mount Post

If sidewalk is wider than 52 inches, then use the Universal Surface Mount Post (purchase separately).

